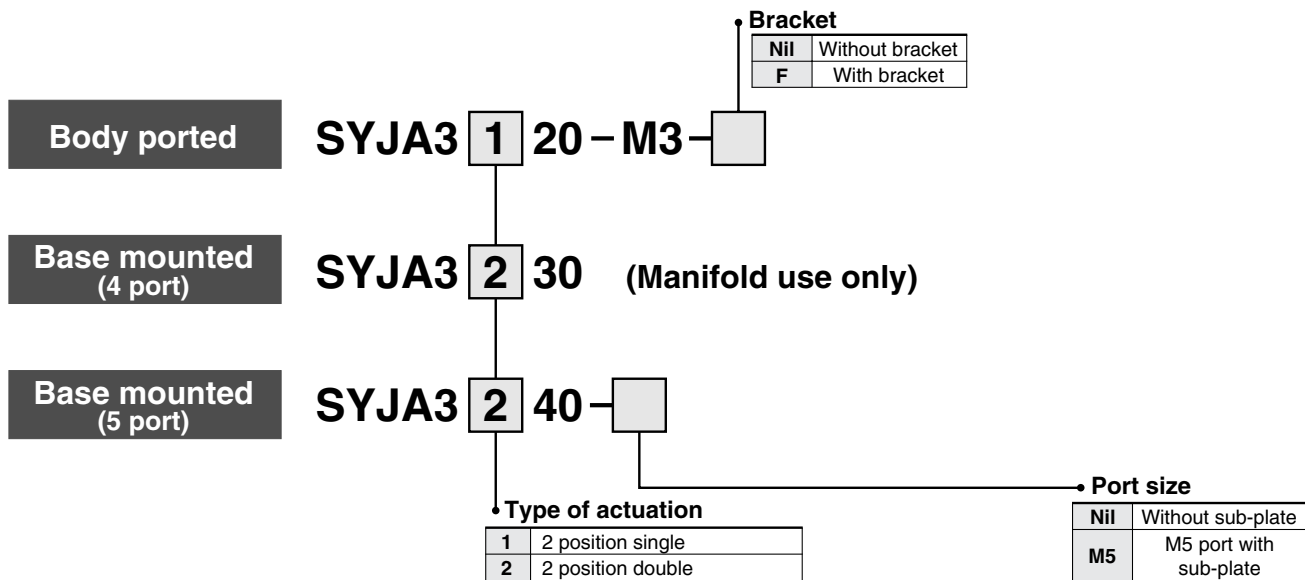


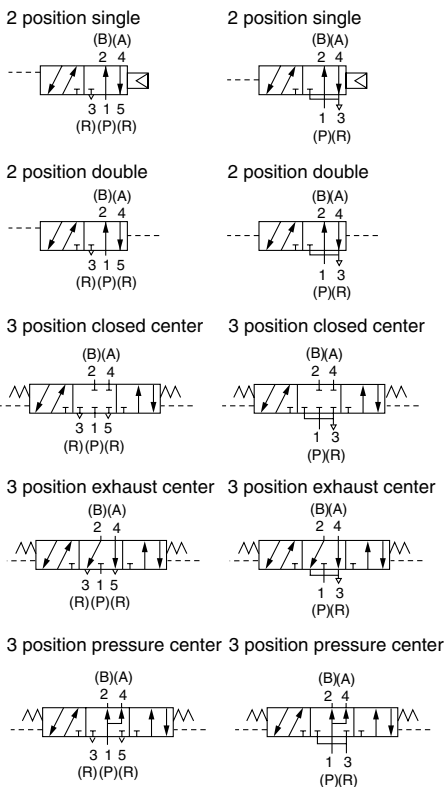
4/5 Port Air Operated Valve Series SYJA3000

How to Order



- S□A
- V□A
- S□A
- V□A
- VM
- VR
- VH
- VHS

JIS Symbol 5 port



How to Order Manifold Base

Same manifolds as series SYJ3000 are prepared.

SS5YJA3—

Instruct by specifying the valves and blanking plate assembly to be mounted on the manifold along with the manifold base model no.

- (Example)
- SS5YJA3-41-03-M5 1 pc.
 - *SYJA3140..... 1 pc.
 - *SYJA3240..... 1 pc.
 - *SYJ3000-21-2A..... 1 pc.

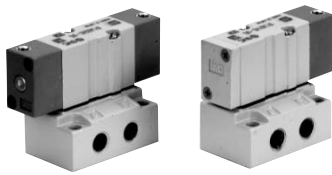
↳ The asterisk denotes the symbol for assembly. Prefix it to the part nos. of the solenoid valve, etc.

Caution

For Safety Instructions and Solenoid Valve Precautions, refer to pages 5-11-2 to 6.

Series SYJA3000

Specifications



Base mounted



Body ported

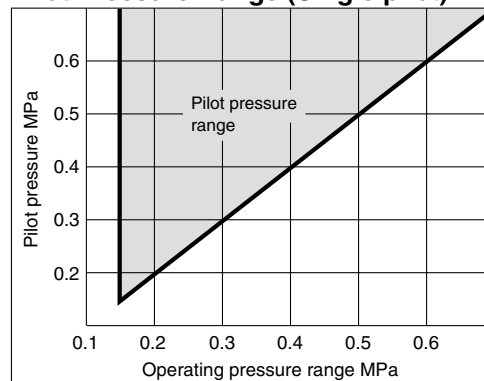
Fluid	Air	
Operating pressure range MPa	2 position single	0.15 to 0.7
	2 position double	0.1 to 0.7
	3 position	0.2 to 0.7
Pilot pressure range MPa ^{Note 1)}	2 position single	Operating pressure to 0.7
	2 position double	0.1 to 0.7
	3 position	0.2 to 0.7
Ambient and fluid temperature °C	-10 to 50 (No freezing. Refer to page 5-11-4.)	
Lubrication	Not required	
Mounting orientation	Unrestricted	
Impact/Vibration resistance (m/s ²) ^{Note 2)}	300/50	



Note 1) In the case of single type, be certain that pressure within operating pressure range be supplied to supply port, because return pressure is introduced from supply port {1(P)} for activation.

Note 2) Impact resistance: No malfunction resulted from the impact test using a drop impact tester. The test was performed on the axis and right angle directions of the main valve, when pilot signal is ON and OFF. (Value in the initial state)
 Vibration resistance: No malfunction occurred in one sweep test between 45 and 2000 Hz. Test was performed to axis and right angle directions of the main valve when pilot signal is ON and OFF. (Value in the initial state)

Pilot Pressure Range (Single pilot)



With Bracket

Air operated valve type	SYJA3□20-M3-F
-------------------------	---------------

The mounting bracket for the 2 position double solenoid and 3 position is supplied unattached.

Flow Characteristics/Weight

* Refer to memo for contents that have been changed.

Valve model	Type of actuation	Port size	Pilot port size	Weight (g) ^{Note 3)}	Effective area mm ²	Flow characteristics ^{Note 2)}												
						1 → 4/2 (P → A/B)			4/2 → 5/3 (A/B → EA/EB)									
						C [dm ³ /(s·bar)]	b	Cv	C [dm ³ /(s·bar)]	b	Cv							
5 port base mounted (with sub-plate)	2 position	Single	M5 x 0.8	M3 x 0.5	—	0.46	0.36	0.12	0.46	0.35	0.12							
												Double	51 (25)					
	3 position	Closed center												54 (28)	0.47	0.33	0.12	0.47
												Exhaust center	0.36					
		Pressure center			0.58 [0.32]	0.42 [0.33]	0.16 [0.080]	0.46	0.32	0.11								
Body ported	2 position	Single	M3 x 0.5	M3 x 0.5	0.9	0.46	0.36	0.12	0.46	0.35	0.12							
												Double	22					
	3 position	Closed center												25	0.47	0.33	0.12	0.47
												Exhaust center	28					
		Pressure center																
4 Port base mounted (For manifold) ^{Note 1)}	2 position	Single	—	M3 x 0.5	28	0.46	0.36	0.12	0.46	0.35	0.12							
												Double	22					
	3 position	Closed center												25	0.47	0.33	0.12	0.47
												Exhaust center						
		Pressure center																



Note 1) Value when used on a manifold. Refer to page 5-2-19 for details.

Note 2) []: Denotes normal position.

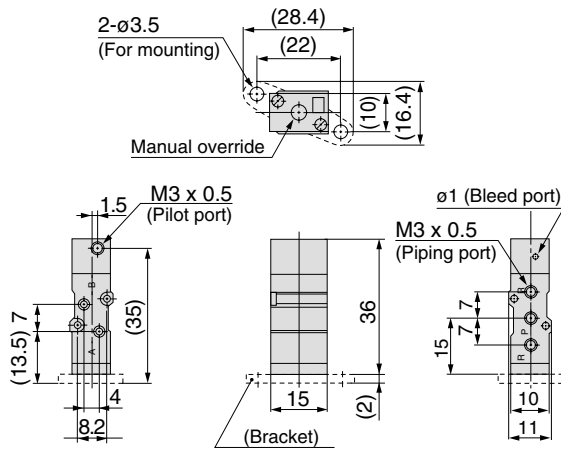
Note 3) (): Without sub-plate.

Note 4) 5 port base mounted without sub-plate: SYJA3□40

4/5 Port Air Operated Valve Series SYJA3000

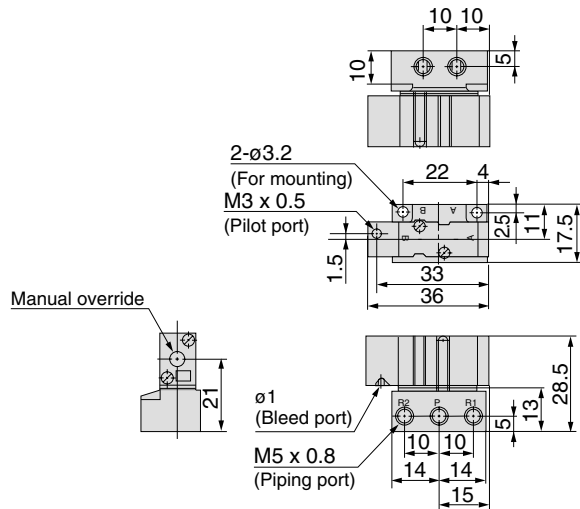
Dimensions: Body Ported

2 position single: SYJA3120-M3(-F)

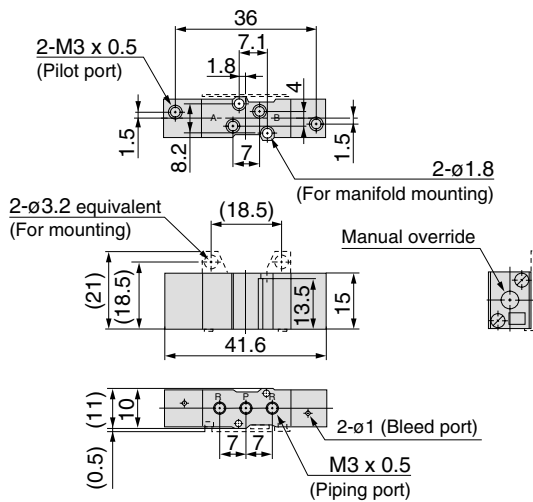


Dimensions: Base Mounted

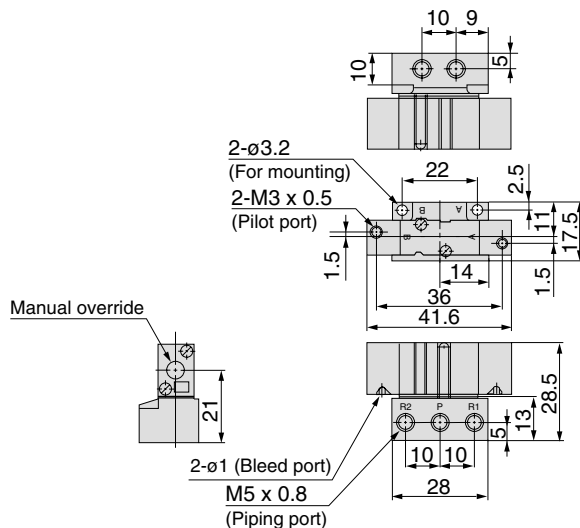
2 position single: SYJA3140-M5



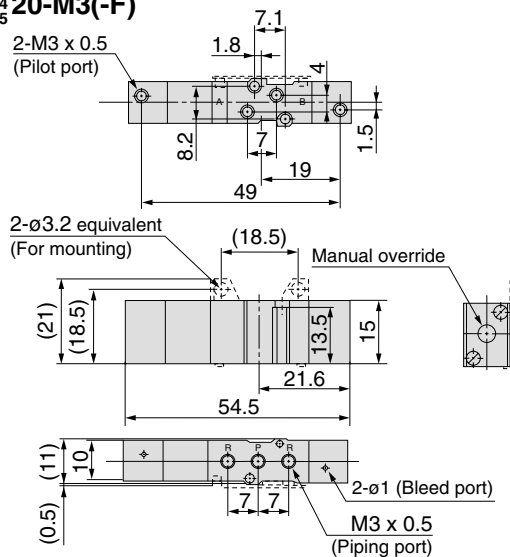
2 position double: SYJA3220-M3(-F)



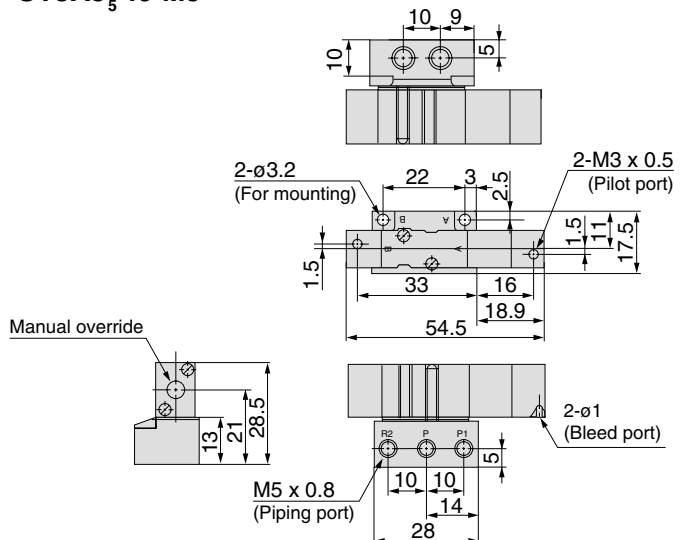
2 position double: SYJA3240-M5



3 position closed center/exhaust center/pressure center SYJA3₅⁴20-M3(-F)



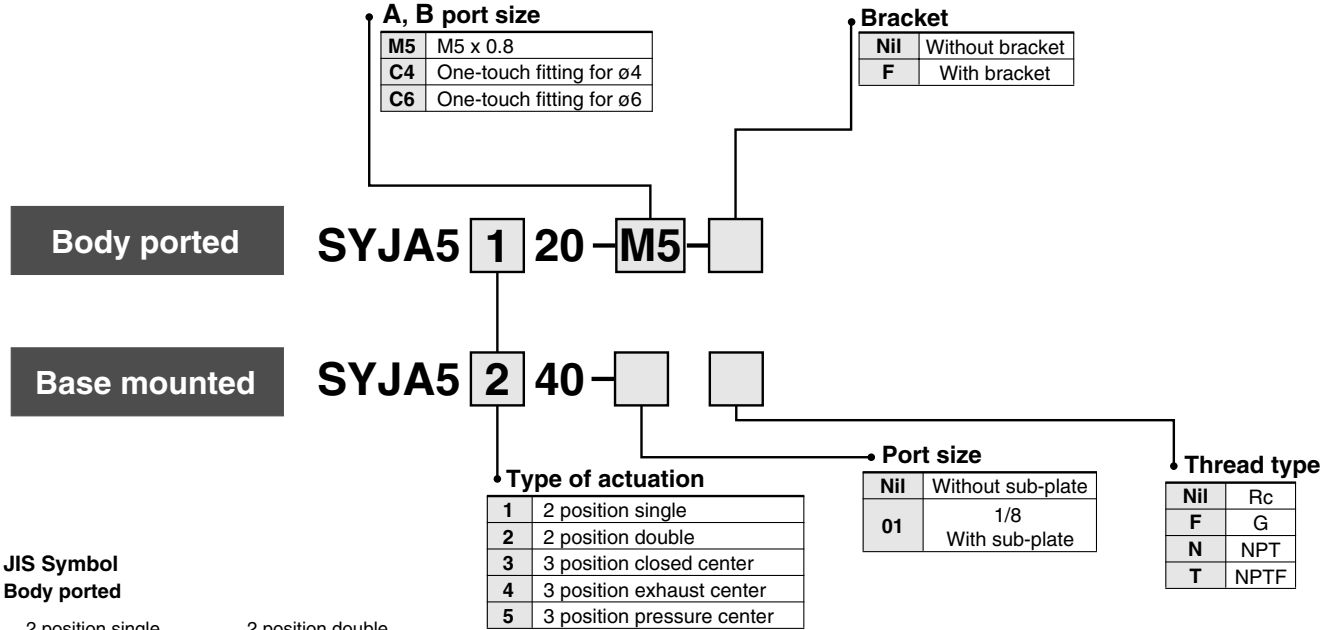
3 position closed center/exhaust center/pressure center SYJA3₅⁴40-M5



S□A
V□A
S□A
V□A
VM
VR
VH
VHS

4/5 Port Air Operated Valve Series SYJA5000

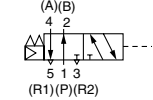
How to Order



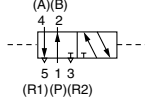
JIS Symbol

Body ported

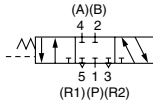
2 position single



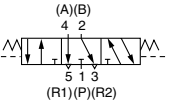
2 position double



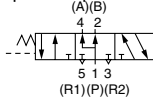
3 position closed center



3 position exhaust center

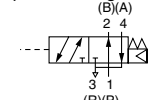


3 position pressure center

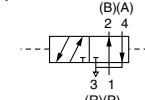


Base mounted

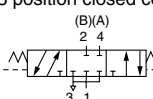
2 position single



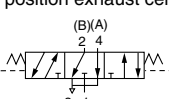
2 position double



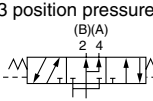
3 position closed center



3 position exhaust center



3 position pressure center



How to Order Manifold Base

Same manifolds as series SYJ5000 are prepared.

SS5YJA5— Fill the same as SS5YJ5.

Instruct by specifying the valves and blanking plate assembly to be mounted on the manifold along with the manifold base model no.

(Example)

- SS5YJA5-42-03-01 1 set
- * SYJA5140 1 set
- * SYJA5240 1 set
- * SYJ5000-21-1A 1 set

→ The asterisk denotes the symbol for assembly. Prefix it to the part nos. of the solenoid valve, etc.

⚠ Caution

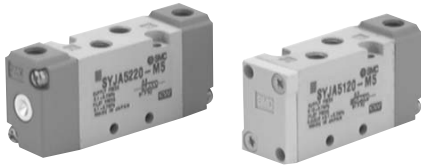
For Safety Instructions and Solenoid Valve Precautions, refer to pages 5-11-2 to 5-11-6.

4/5 Port Air Operated Valve Series SYJA5000

Specifications



Base mounted



Body ported

Fluid	Air	
Operating pressure range MPa	2 position single	0.15 to 0.7
	2 position double	0.1 to 0.7
	3 position	0.15 to 0.7
Pilot pressure range MPa ^{Note 1)}	2 position single	(0.4 x P+0.1) to 0.7 P: Operating pressure
	2 position double	0.1 to 0.7
	3 position	0.15 to 0.7
Ambient and fluid temperature °C	-10 to 50 (No freezing. Refer to page 5-11-4.)	
Lubrication	Not required	
Mounting orientation	Unrestricted	
Impact/Vibration resistance (m/s ²) ^{Note 2)}	300/50	

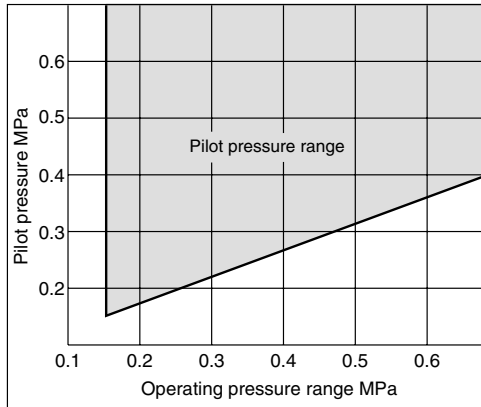


Note 1) In the case of single type, be certain that pressure within operating pressure range be supplied to supply port, because return pressure is introduced from supply port {1(P)} for activation.

Note 2) Impact resistance: No malfunction resulted from the impact test using a drop impact tester. The test was performed on the axis and right angle directions of the main valve, when pilot signal is ON and OFF. (Value in the initial state)

Vibration resistance: No malfunction occurred in one sweep test between 45 and 2000 Hz. Test was performed to axis and right angle directions of the main valve when pilot signal is ON and OFF. (Value in the initial state)

Pilot Pressure Range (Single pilot)



With Bracket

Air operated valve type	SYJA5120-M5-F
-------------------------	---------------

The mounting bracket is supplied unattached.

Flow Characteristics/Weight

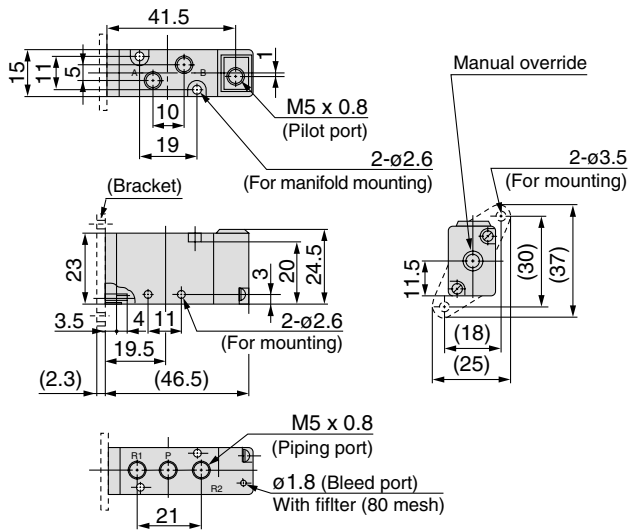
Valve model	Type of actuation	Port size	Flow characteristics ^{Note 1)}						Pilot port size	Weight (g) ^{Note 2)}		
			1 → 4/2 (P → A/B)			4/2 → 5/3 (A/B → EA/EB)						
			C [dm ³ /s-bar]	b	Cv	C [dm ³ /s-bar]	b	Cv				
Body ported	SYJA5□20-M5	2 position	Single	M5 x 0.8	0.47	0.41	0.13	0.47	0.41	0.13	M5 x 0.8	45
			Double									60
		3 position	Closed center		0.49	0.44	0.13	0.44	0.40	0.12		70
			Exhaust center		0.46	0.37	0.12	0.47 [0.39]	0.43 [0.35]	0.13 [0.10]		
	SYJA5□20-C4	2 position	Single	A, B port: C4 (One-touch fitting for ø4) P, R port: M5 x 0.8	0.69	0.39	0.18	0.44	0.39	0.12	M5 x 0.8	52
			Double									67
		3 position	Closed center		0.69	0.40	0.19	0.43	0.40	0.12		77
			Exhaust center		0.56	0.40	0.15	0.41 [0.41]	0.37 [0.37]	0.10 [0.11]		
	SYJA5□20-C6	2 position	Single	A, B port: C6 (One-touch fitting for ø6) P, R port: M5 x 0.8	0.70	0.36	0.19	0.47	0.40	0.12	M5 x 0.8	52
			Double									67
		3 position	Closed center		0.72	0.37	0.19	0.44	0.34	0.12		77
			Exhaust center		0.67	0.54	0.19	0.41 [0.41]	0.38 [0.38]	0.11 [0.11]		
Base mounted (with sub-plate)	SYJA5□40-01	2 position	Single	1/8	0.79	0.21	0.19	0.83	0.32	0.21	M5 x 0.8	79 (45)
			Double									94 (60)
		3 position	Closed center		0.80	0.28	0.18	0.86	0.34	0.20		104(70)
			Exhaust center		0.71	0.26	0.18	1.1 [0.60]	0.24 [0.44]	0.26 [0.18]		
					Pressure center	0.99 [0.47]	0.29 [0.38]	0.24 [0.12]	0.72	0.38	0.18	

Note 1) []: Denotes normal position.
 Note 2) (): Without sub-plate.
 Note 3) 5 port base mounted without sub-plate: SYJA5□40

Series SYJA5000

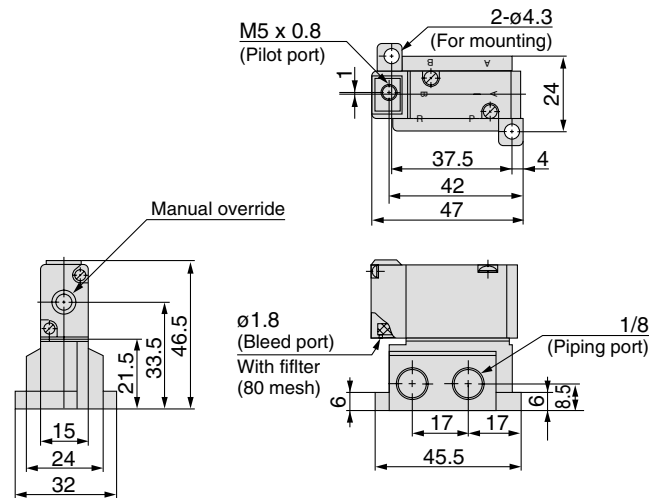
Dimensions: Body Ported

2 position single: SYJA5120-M5(-F)

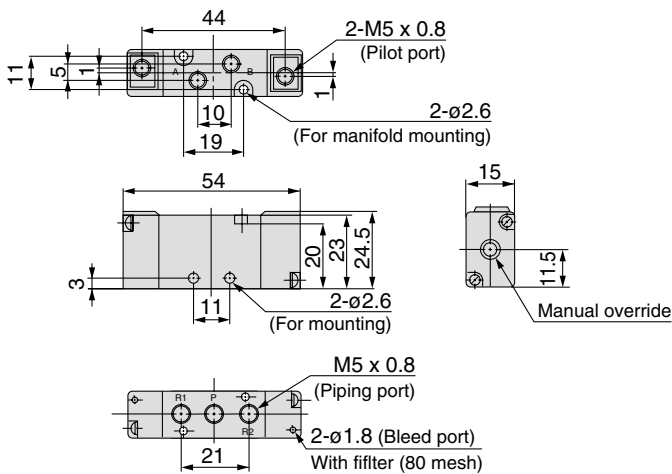


Dimensions: Base Mounted

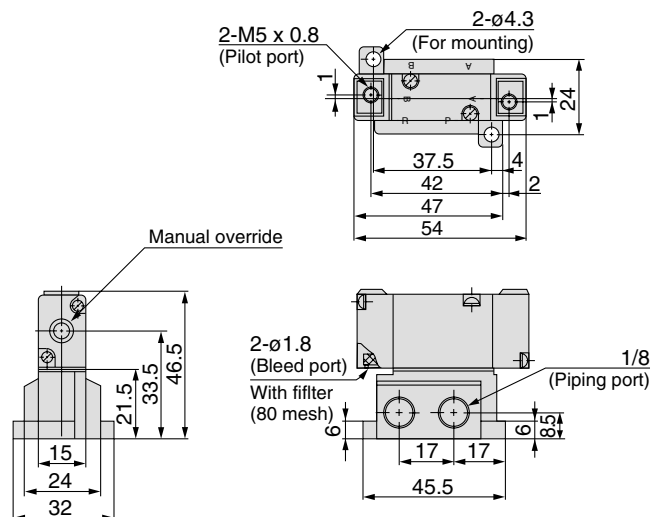
2 position single: SYJA5140-01□



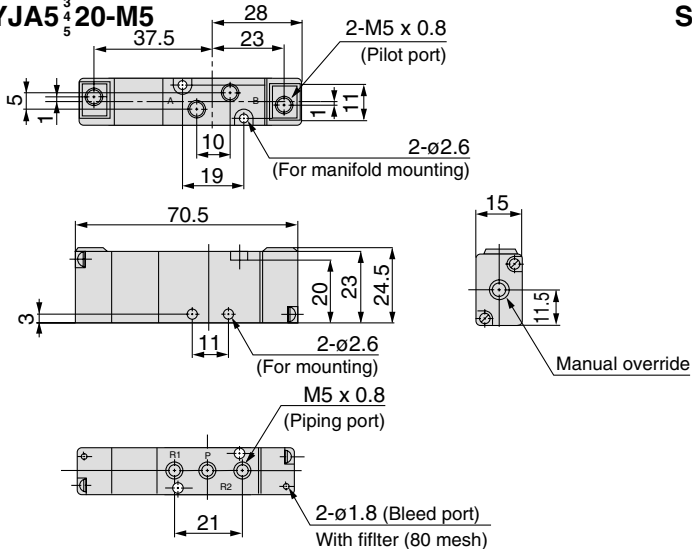
2 position double: SYJA5220-M5



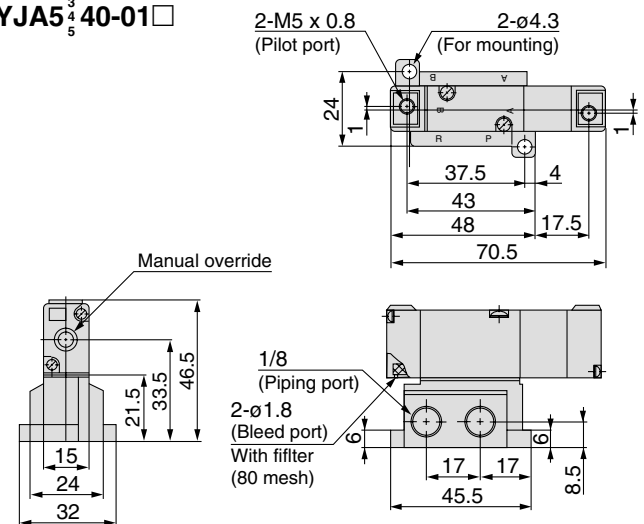
2 position double: SYJA5240-01□



3 position closed center/exhaust center/pressure center SYJA5³/₅20-M5

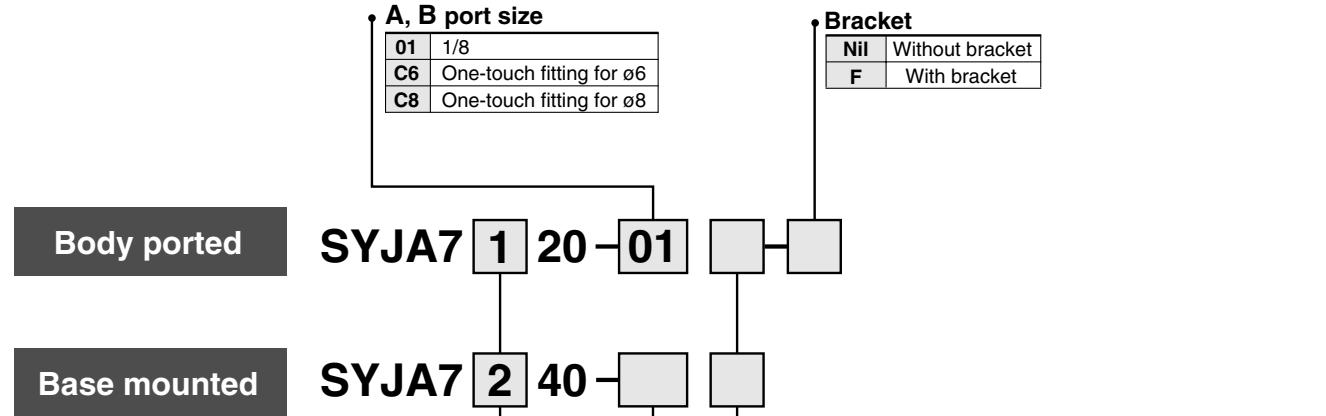


3 position closed center/exhaust center/pressure center SYJA5³/₅40-01□



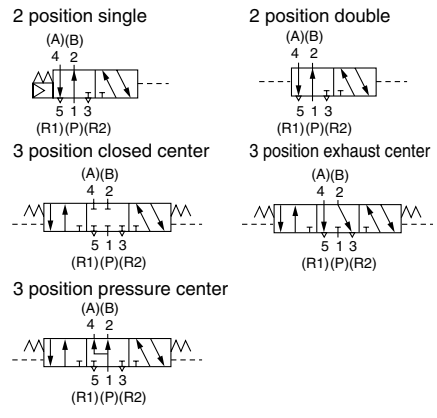
4/5 Port Air Operated Valve Series SYJA7000

How to Order

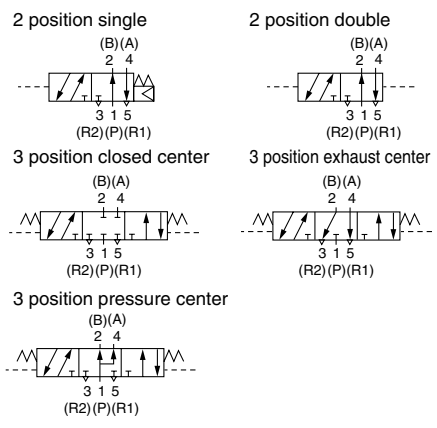


- A
- A
- A
- VM
- VR
- VH
- VHS

JIS Symbol Body ported



Base mounted



Caution

For Safety Instructions and Solenoid Valve Precautions, refer to pages 5-11-2 to 5-11-6.

Type of actuation

1	2 position single
2	2 position double
3	3 position closed center
4	3 position exhaust center
5	3 position pressure center

Port size

Nil	Without sub-plate
01	1/8 With sub-plate
02	1/4 With sub-plate

Thread type

Nil	Rc
F	G
N	NPT
T	NPTF

How to Order Manifold Base

Same manifolds as series SYJ7000 are prepared.

SS5YJA7 - Fill the same as SS5YJ7.

Instruct by specifying the valves and blanking plate assembly to be mounted on the manifold along with the manifold base model no.

(Example)
 SS5YJA7-41-03-01 1 pc.
 * SYJA7140..... 1 pc.
 * SYJA7240..... 1 pc.
 * SYJ7000-21-1A..... 1 pc.

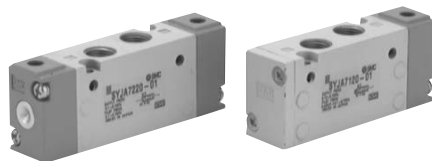
↳ The asterisk denotes the symbol for assembly. Prefix it to the part nos. of the solenoid valve, etc.

Series SYJA7000

Specifications



Base mounted



Body ported

Fluid	Air	
Operating pressure range MPa	2 position single	0.15 to 0.7
	2 position double	0.1 to 0.7
	3 position	0.15 to 0.7
Pilot pressure range MPa ^{Note 1)}	2 position single	(0.4 x P+0.1) to 0.7 P: Operating pressure
	2 position double	0.1 to 0.7
	3 position	0.15 to 0.7
Ambient and fluid temperature °C	-10 to 50 (No freezing. Refer to page 5-11-4.)	
Lubrication	Not required	
Mounting orientation	Unrestricted	
Impact/Vibration resistance (m/s ²) ^{Note 2)}	300/50	

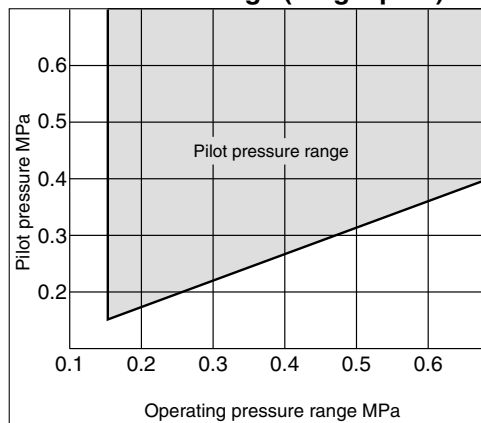


Note 1) In the case of single type, be certain that pressure within operating pressure range be supplied to supply port, because return pressure is introduced from supply port {1(P)} for activation.

Note 2) Impact resistance: No malfunction resulted from the impact test using a drop impact tester. The test was performed on the axis and right angle directions of the main valve, when pilot signal is ON and OFF. (Value in the initial state)

Vibration resistance: No malfunction occurred in one sweep test between 45 and 2000 Hz. Test was performed to axis and right angle directions of the main valve when pilot signal is ON and OFF. (Value in the initial state)

Pilot Pressure Range (Single pilot)



With Bracket


Air operated valve type	SYJA7120-01-F
-------------------------	---------------

As a bracket is designed for a body, be sure that a bracket is attached when ordering and operating.

4/5 Port Air Operated Valve Series SYJA7000

Flow Characteristics/Weight

Valve model		Type of actuation		Port size		Flow characteristics <small>Note 2)</small>						Pilot port size	<small>Note 3)</small> Weight (g)				
						1 → 4/2 (P → A/B)			4/2 → 5/3 (A/B → EA/EB)								
						C [dm ³ /(s·bar)]	b	Cv	C [dm ³ /(s·bar)]	b	Cv						
Body ported	SYJA7□20-01	2 position	Single	1/8	2.2	0.36	0.58	2.4	0.34	0.63	M5 x 0.8	90					
			Double									110					
		3 position	Closed center		1.8	0.37	0.45	2.0	0.35	0.49		1.2	0.50	0.34	3.0 [1.3]	0.35 [0.52]	0.73 [0.39]
			Exhaust center														
			Pressure center														
			3.0 [0.83]														
	SYJA7□20-C6	2 position	Single	A, B port: C6 (One-touch fitting for ø6) P, R port: 1/8	1.6	0.33	0.4	2.2	0.32	0.53		101					
			Double									121					
		3 position	Closed center		1.4	0.27	0.35	1.9	0.33	0.49		1.1	0.37	0.27	2.5 [1.3]	0.32 [0.54]	0.61 [0.38]
			Exhaust center														
			Pressure center														
			1.8 [0.78]														
SYJA7□20-C8	2 position	Single	A, B port: C8 (One-touch fitting for ø8) P, R port: 1/8	2.0	0.39	0.52	2.3	0.34	0.61	101							
		Double								121							
	3 position	Closed center		1.7	0.35	0.42	2.0	0.29	0.49	1.2	0.38	0.33	2.6 [1.3]	0.35 [0.49]	0.67 [0.38]		
		Exhaust center															
		Pressure center															
		1.9 [0.86]														0.57 [0.46]	0.59 [0.25]
Base mounted (With sub-plate)	SYJA7□40-01	2 position	Single	1/8 <small>Note 1)</small>	2.3	0.45	0.57	2.8	0.37	0.71	M5 x 0.8	170 (90)					
			Double									190 (110)					
		3 position	Closed center		1.9	0.36	0.48	2.1	0.46	0.57		1.2	0.48	0.35	3.4 [1.3]	0.36 [0.57]	0.86 [0.41]
			Exhaust center														
			Pressure center														
			3.3 [0.85]														
	SYJA7□40-02	2 position	Single	1/4 <small>Note 1)</small>	2.3	0.41	0.61	2.9	0.35	0.74		170 (90)					
			Double									190 (110)					
		3 position	Closed center		1.9	0.46	0.50	2.2	0.44	0.60		1.3	0.45	0.35	3.7 [1.4]	0.27 [0.56]	0.87 [0.43]
			Exhaust center														
			Pressure center														
			3.6 [0.83]														

-  Note 1) P, A, B Port: Rc1/8 is R1, R2 port: Rc (PT) 1/4
 Note 2) []: Denotes normal position
 Note 3) (): Without sub-plate
 Note 4) 5 port base mounted without sub-plate: SYJA□40

S□A

V□A

S□A

V□A

VM

VR

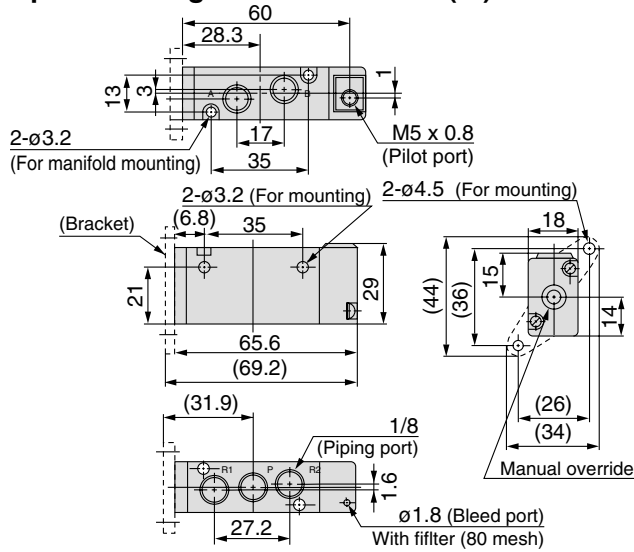
VH

VHS

Series SYJA7000

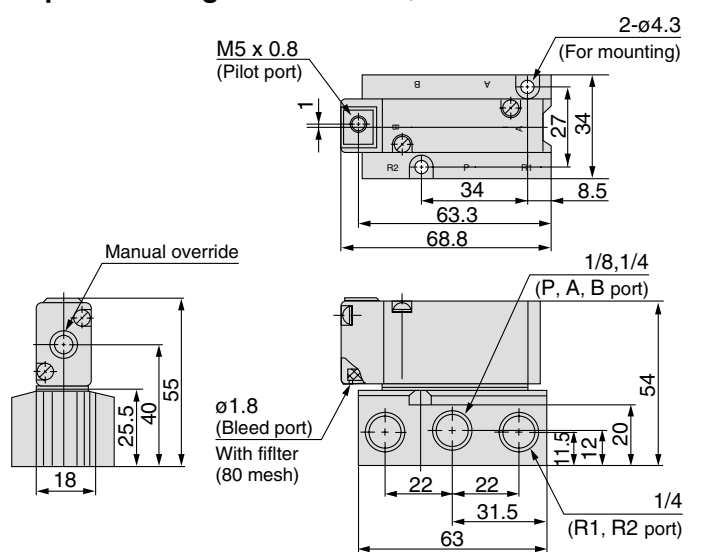
Dimensions: Body Ported

2 position single: SYJA7120-01□(-F)

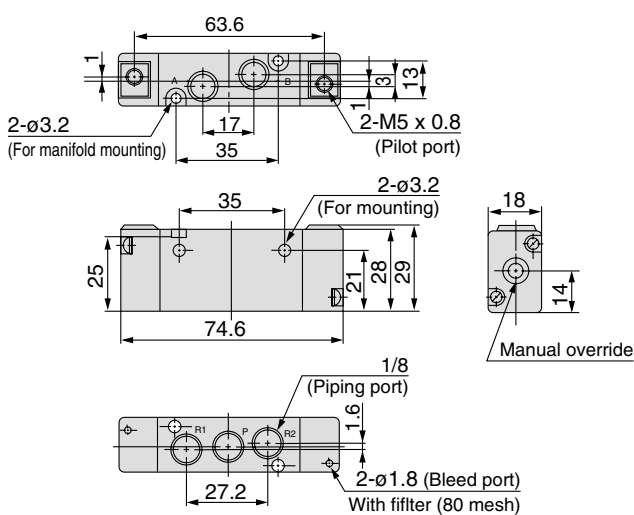


Dimensions: Base Mounted

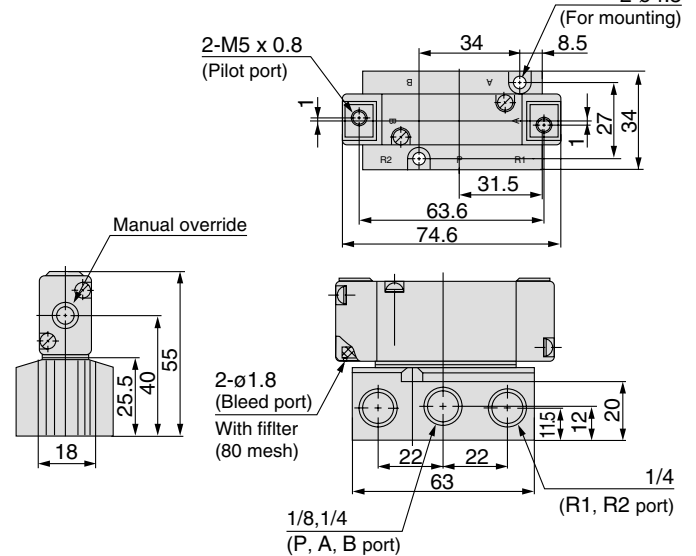
2 position single: SYJA7140-01□₀₂



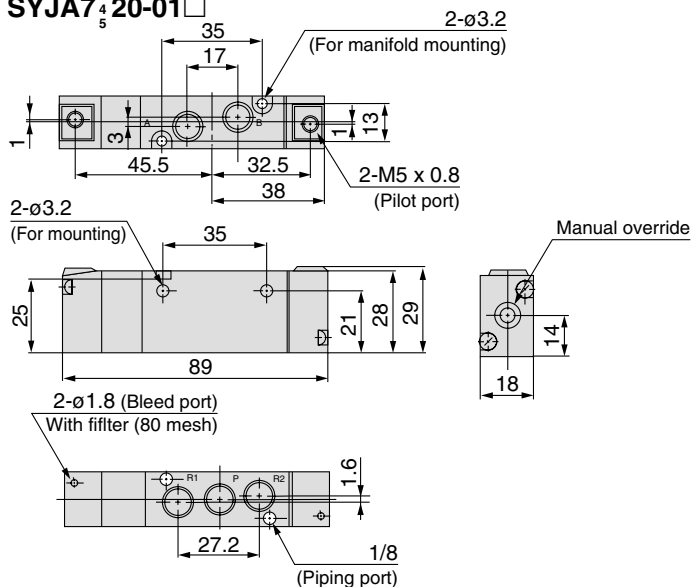
2 position double: SYJA7220-01□



2 position double: SYJA7240-01□₀₂



3 position closed center/exhaust center/pressure center SYJA7³/₅20-01□



3 position closed center/exhaust center/pressure center SYJA7³/₅40-01□₀₂

